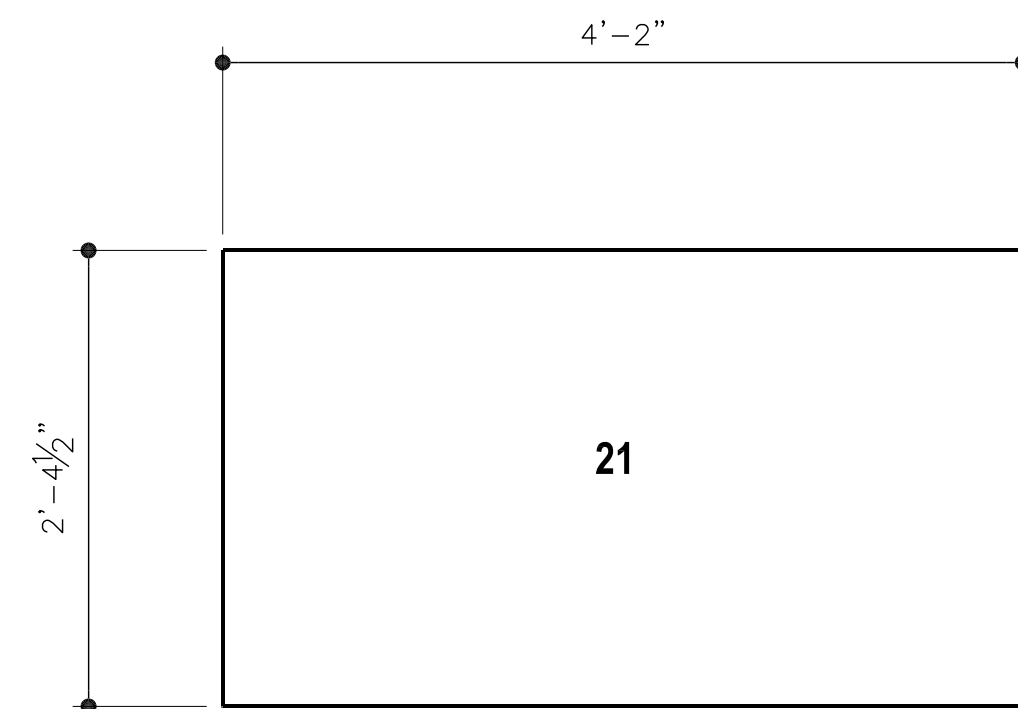


FireRock

The fireplace, *rekindled.*

OUTDOOR VENT-FREE FIREPLACE SYSTEM



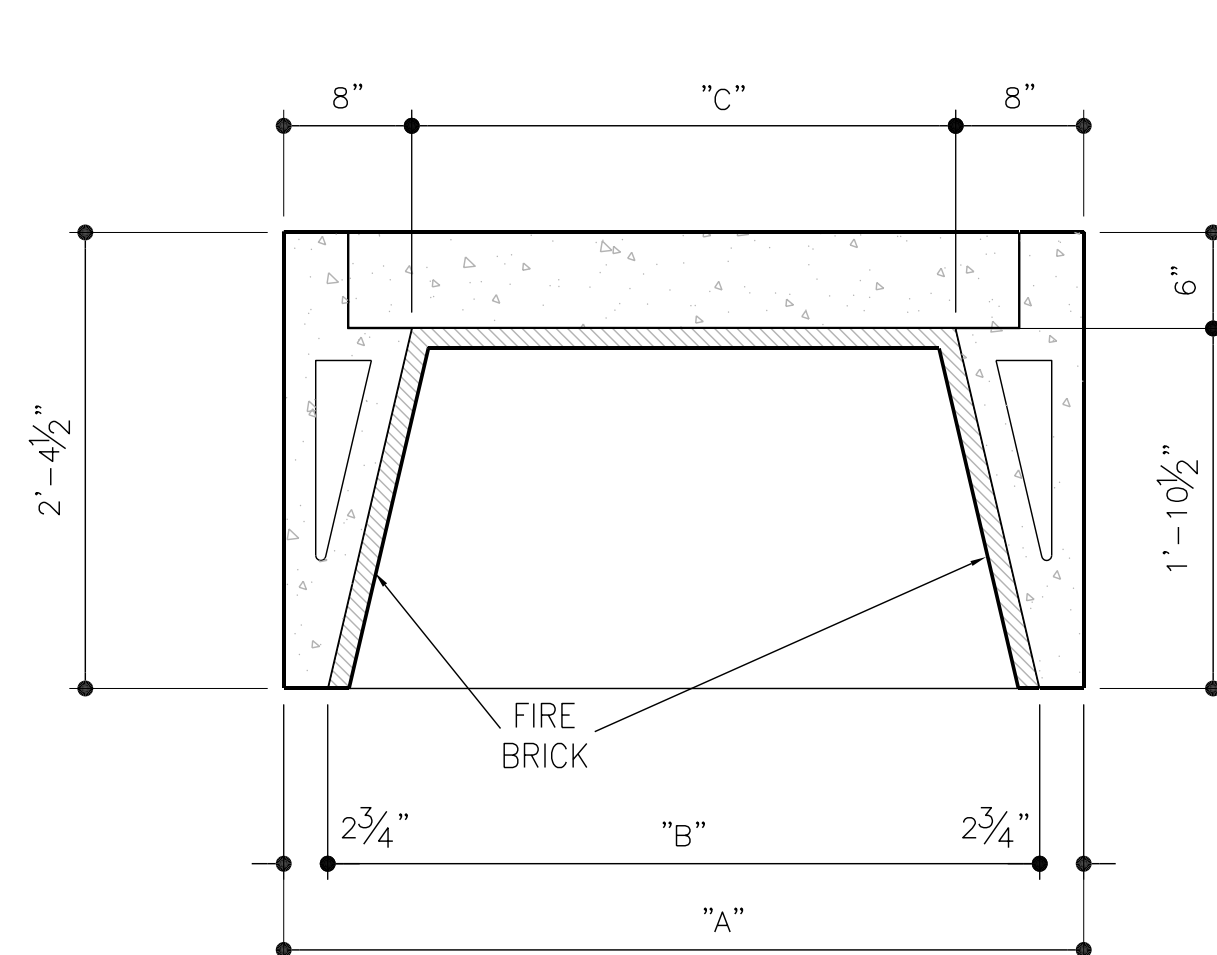
CHIMNEY PLAN SCALE: 3/4" = 1'-0"

FIREPLACE SIZE	DIM A	DIM B	DIM C
30	38"	32.1/2"	24"
36	44"	38.1/2"	30"
42	50"	44.1/2"	36"
48	56"	50.1/2"	42"

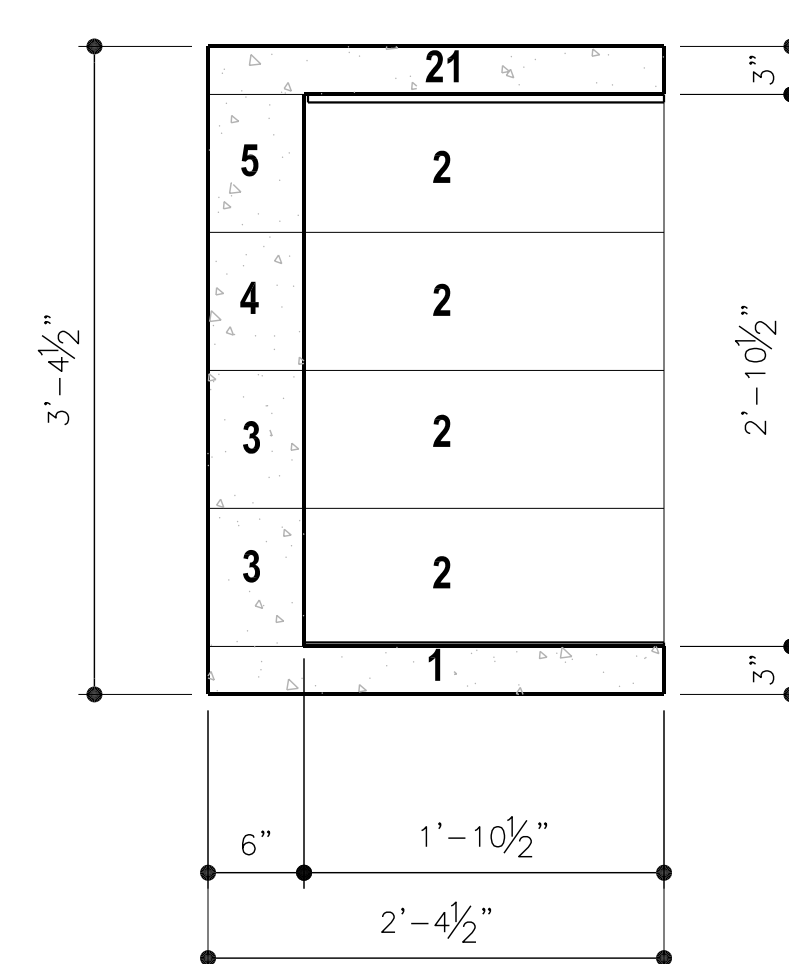
42" SIZE SHOWN TO SCALE - THIS DRAWING

#	COMPONENT NAME
1	BASE PLATE
2	FIREBOX SIDE
3	FIREBOX BACK- STRAIGHT BACK BLOCK
4	FIREBOX BACK- LEVEL 3
5	FIREBOX BACK- LEVEL 4
21	TOP PLATE

1.) ALL DIMENSIONS SHOWN THIS SHEET ARE SPECIFIC TO THE 42" UNIT.

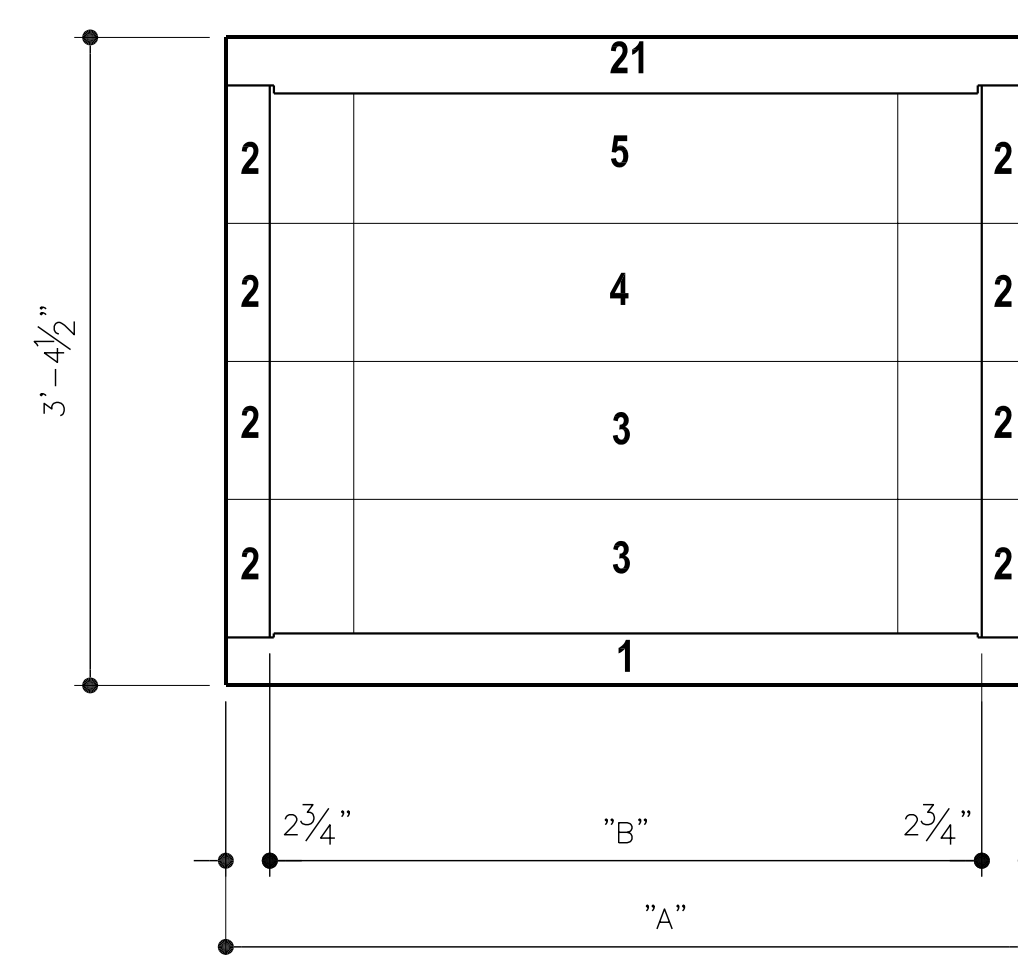


FIREBOX PLAN SCALE: 3/4" = 1'-0"



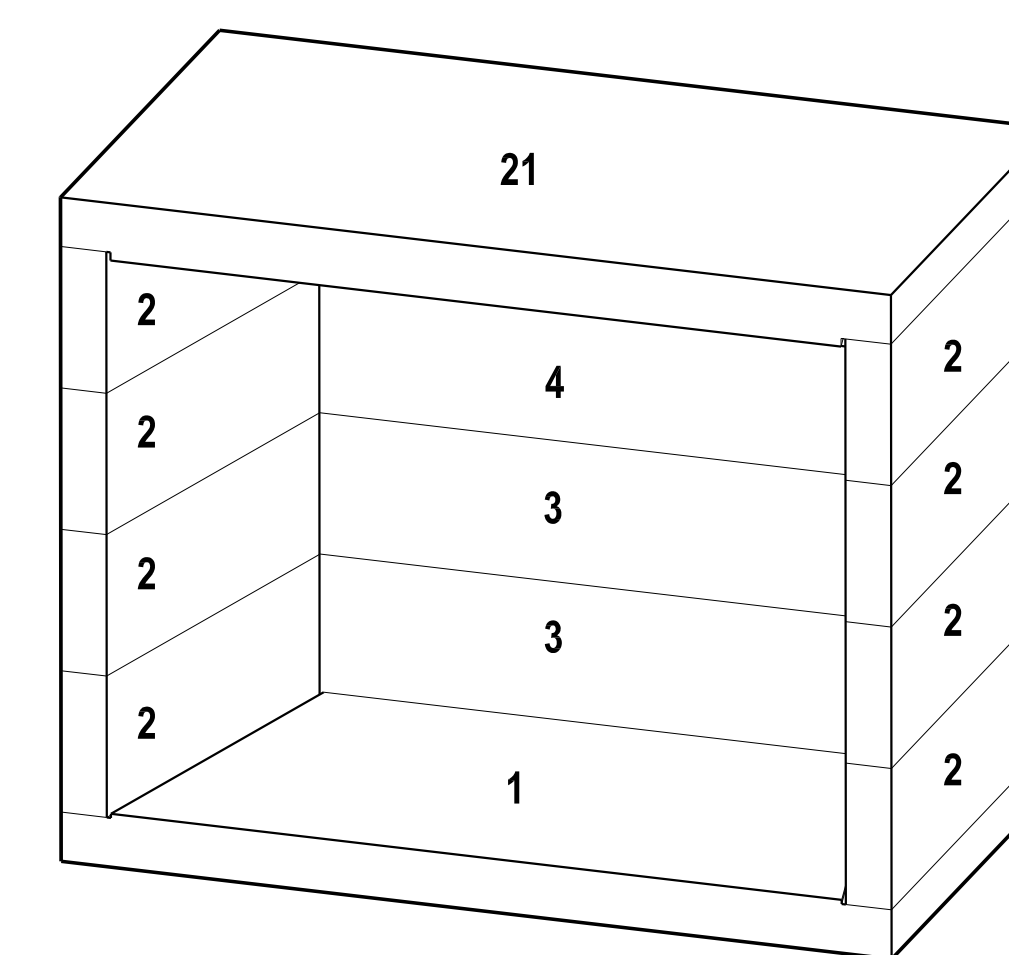
SECTION A-A

SCALE: 3/4" = 1'-0"



FRONT ELEVATION

SCALE: 3/4" = 1'-0"



ISOMETRIC

SCALE: 3/4" = 1'-0"

RELEASE DATE 04/02/09

SCALE 1" = 1'-0"

SHEET

ODVF