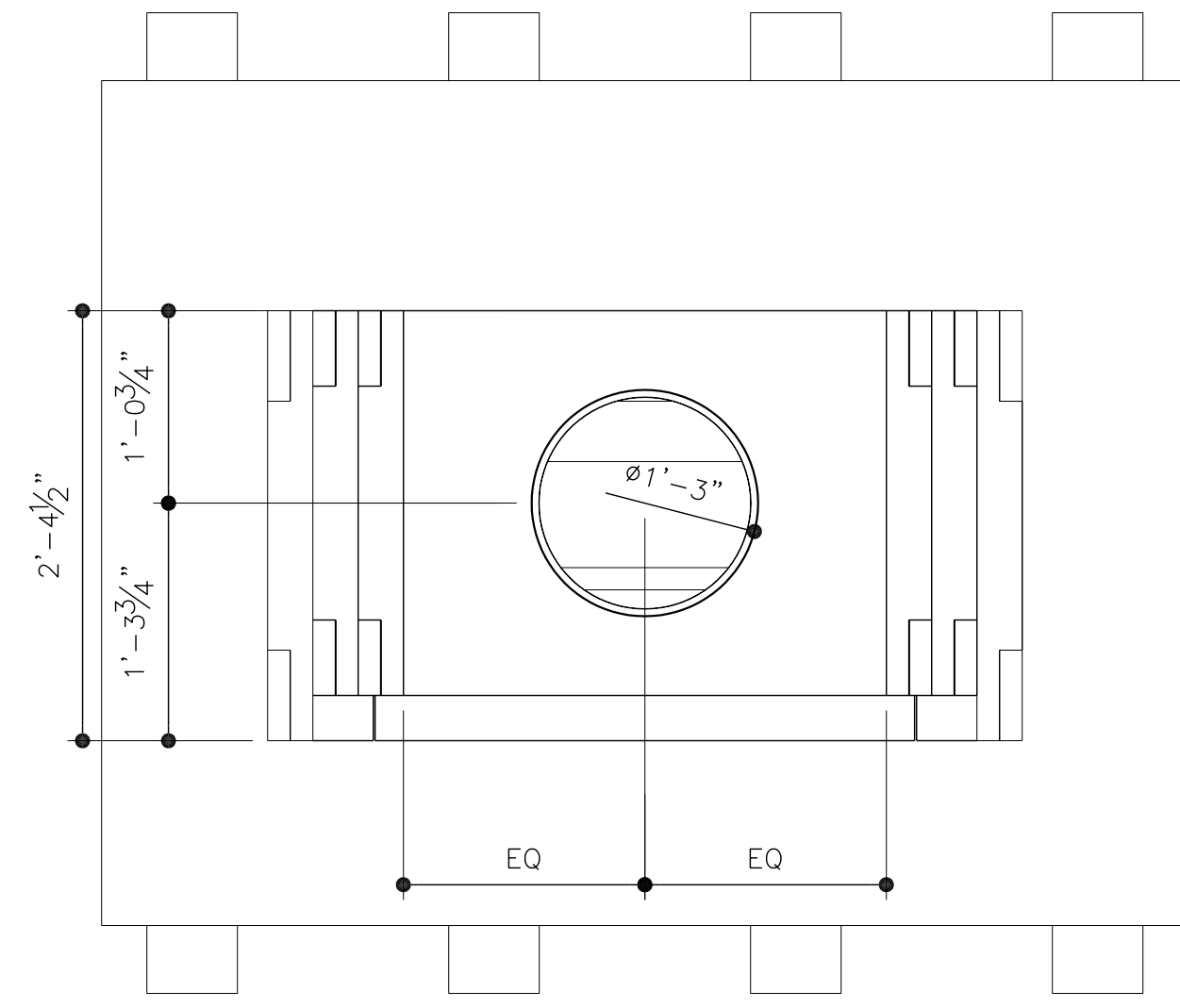


FireRock

The fireplace, *rekindled.*

LITEROCK FIREPLACE SYSTEM

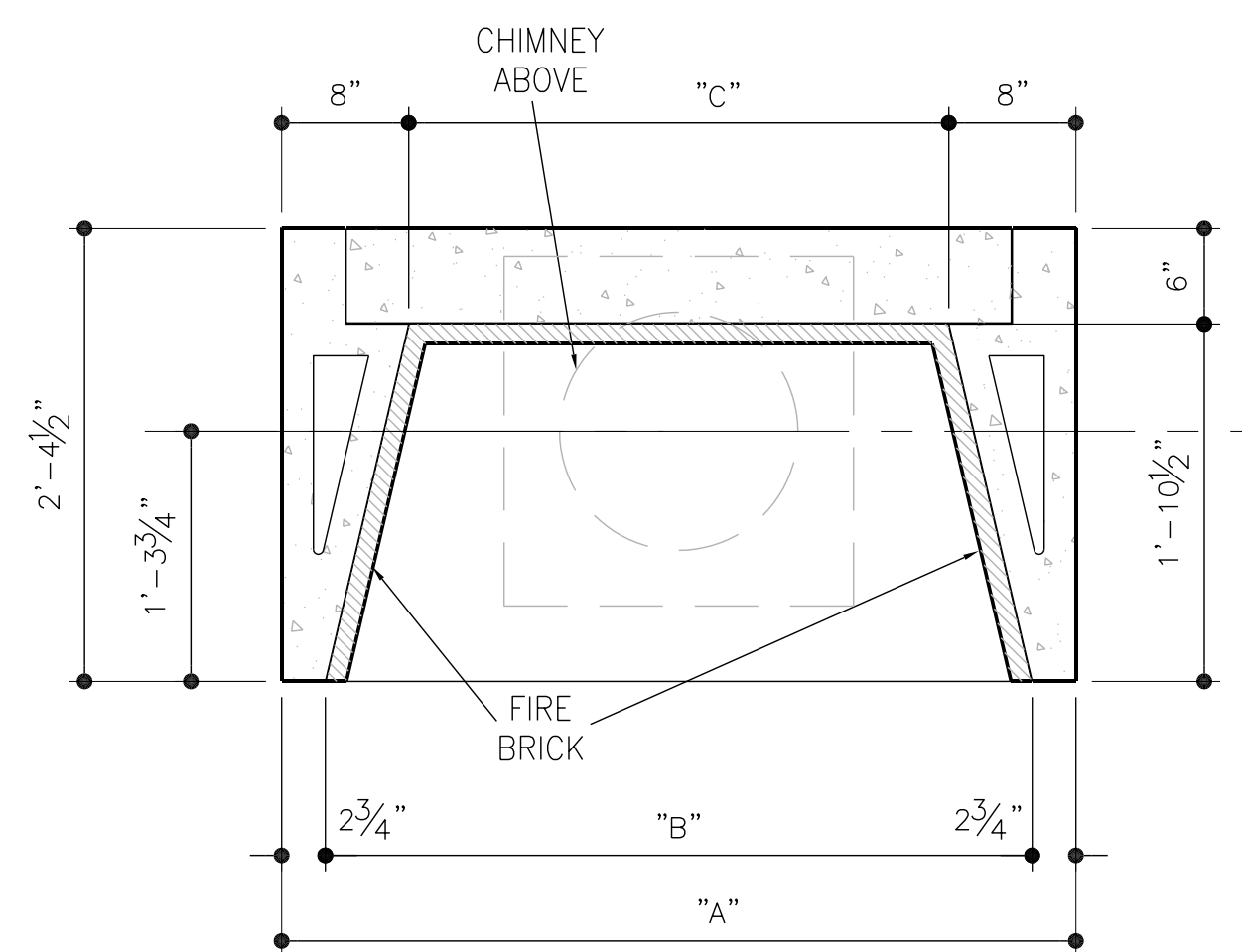
#	COMPONENT NAME
1	BASE PLATE
2	FIREBOX SIDE
3	FIREBOX BACK- STRAIGHT BACK BLOCK
4	FIREBOX BACK- LEVEL 3
5	FIREBOX BACK- LEVEL 4
6	RADIUS THROAT FRONT
7	SQUARE THROAT BACK
8	THROAT LEFT SIDE
9	THROAT RIGHT SIDE
10	SMOKE CHAMBER FRONT AND BACK
11	UNIVERSAL SMOKE CHAMBER SIDES
12	CHIMNEY BASE



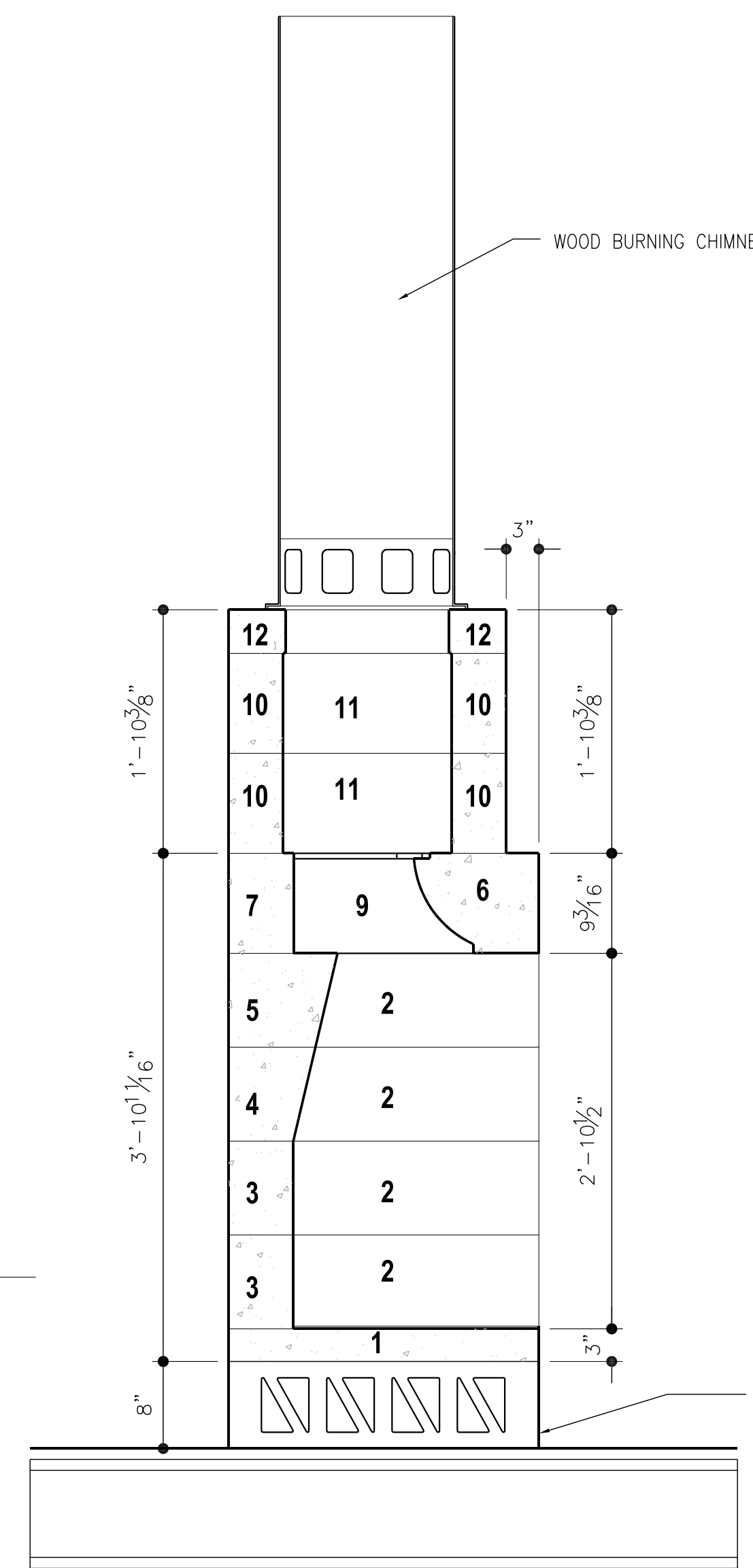
CHIMNEY PLAN SCALE: 1" = 1'-0"

FIREPLACE SIZE	DIM A	DIM B	DAMPER SIZE
30	38"	32.1/2"	24"
36	44"	38.1/2"	30"
42	50"	44.1/2"	36"

42" SIZE SHOWN TO SCALE - THIS DRAWING

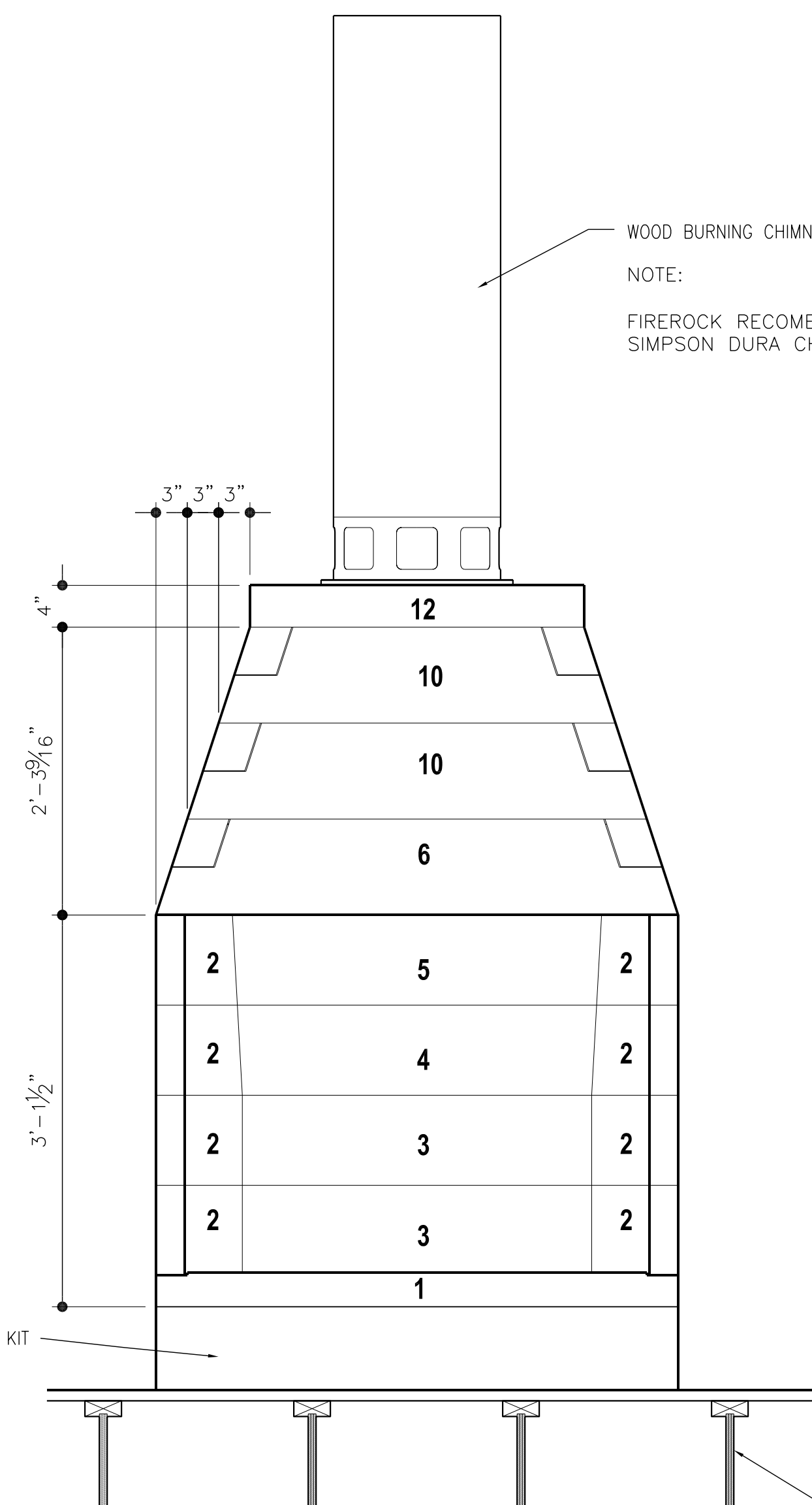


FIREBOX PLAN SCALE: 1" = 1'-0"



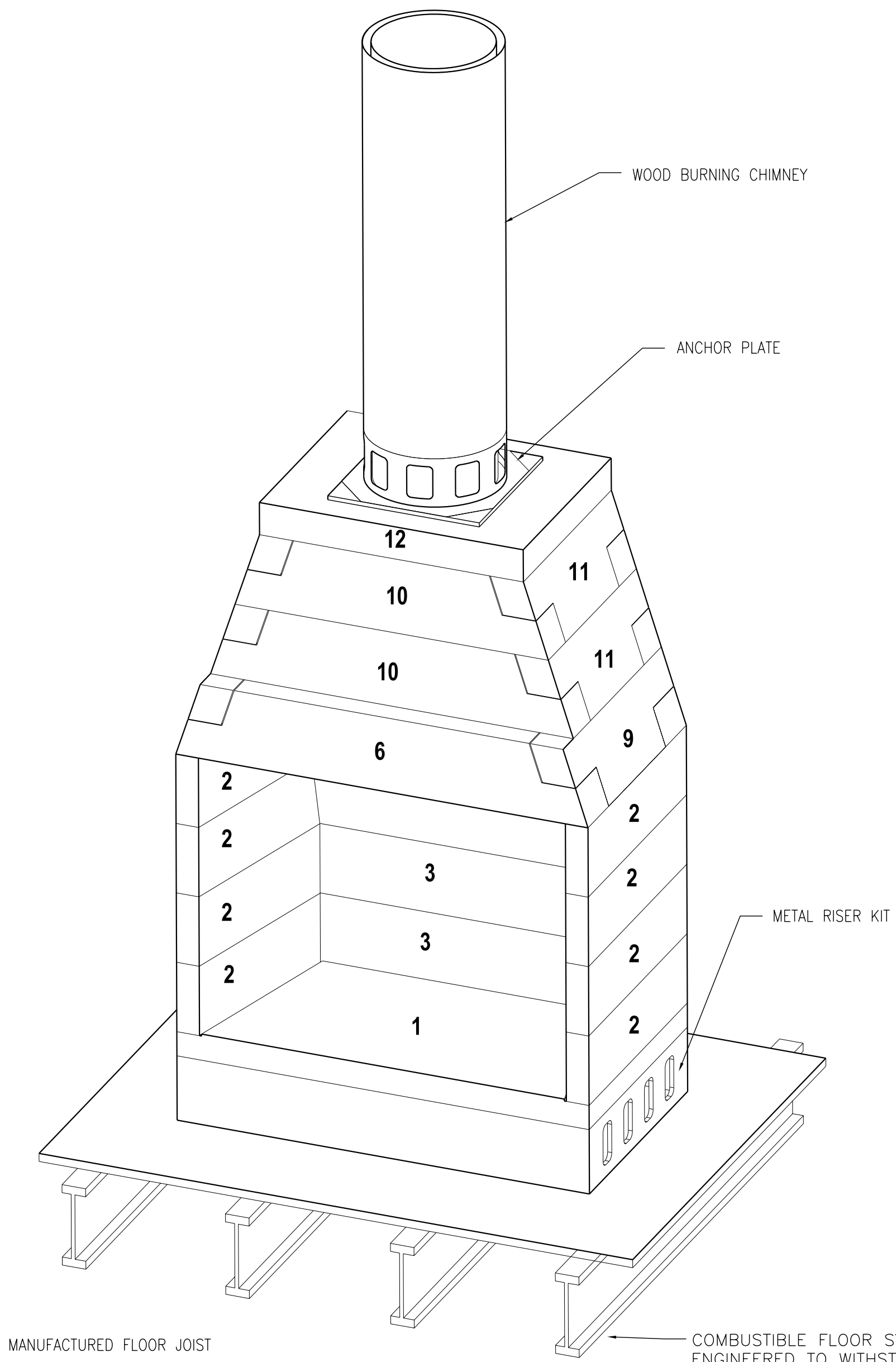
SECTION A-A

SCALE: 1" = 1'-0"



FRONT ELEVATION

SCALE: 1" = 1'-0"



ISOMETRIC

SCALE: 1" = 1'-0"

RELEASE DATE **04/02/09**

SCALE **1" = 1'-0"**

SHEET

LR