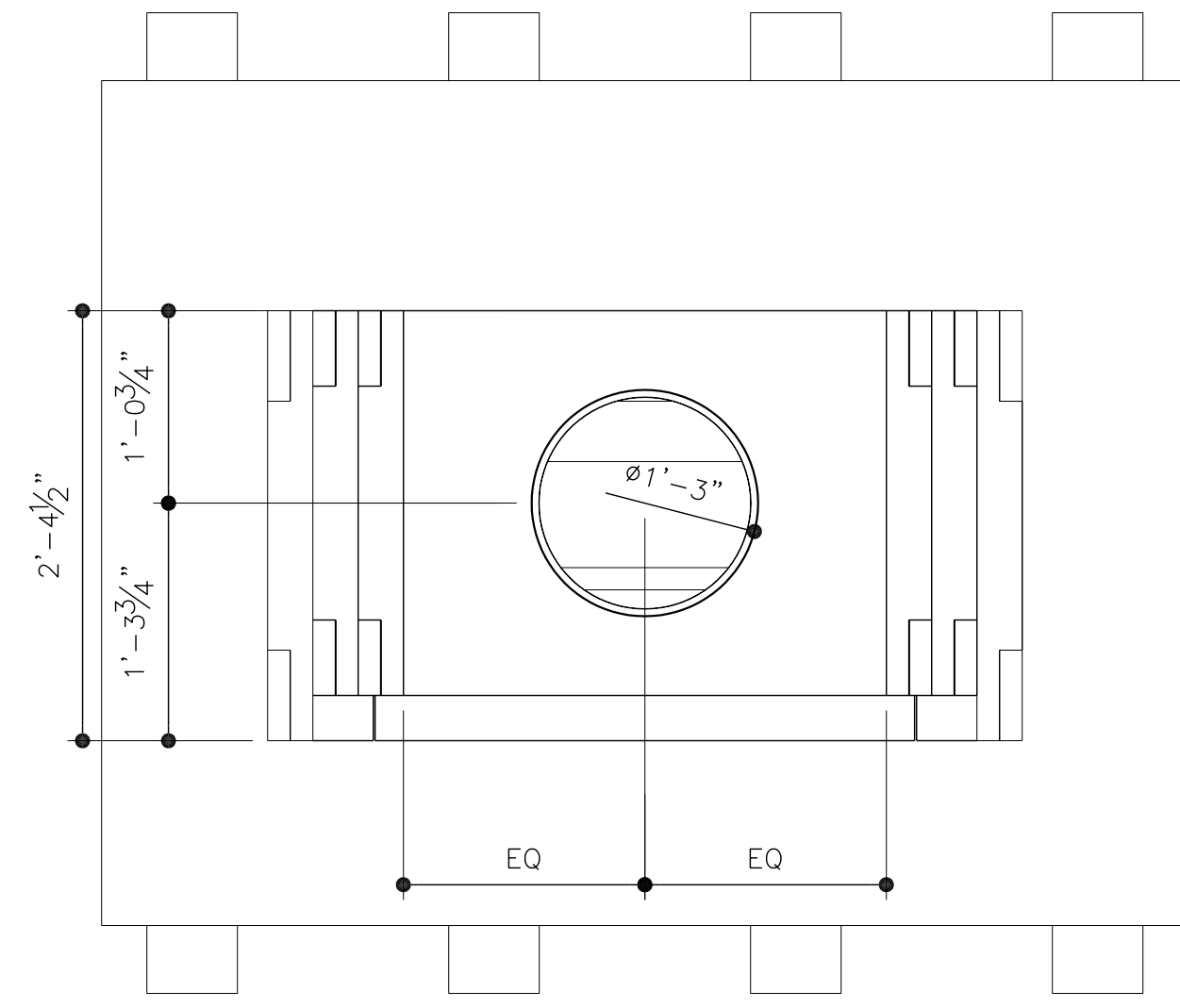


# FireRock

The fireplace, *rekindled.*

## B-VENT FIREPLACE SYSTEM

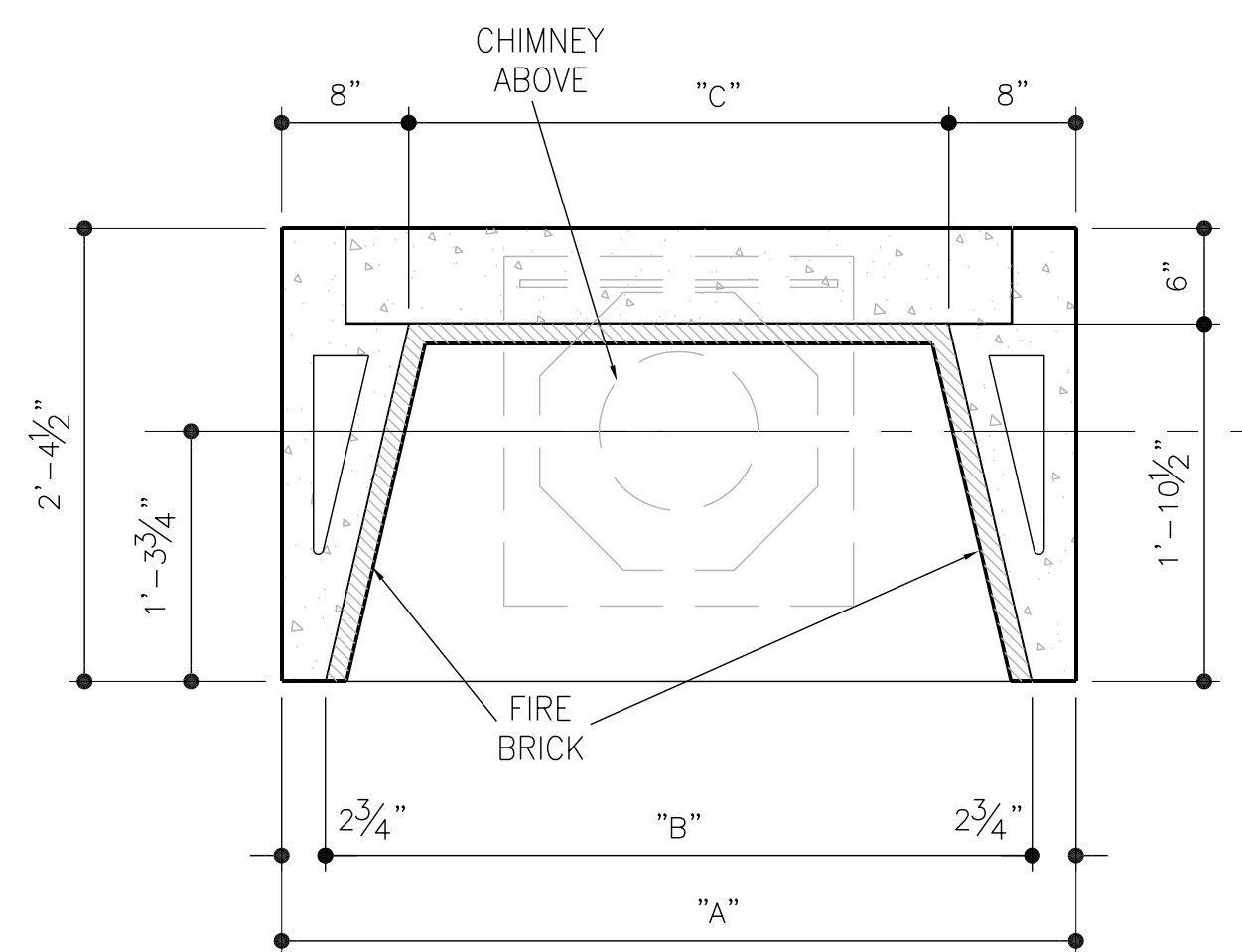
#	COMPONENT NAME
1	BASE PLATE
2	FIREBOX SIDE
3	FIREBOX BACK- STRAIGHT BACK BLOCK
4	FIREBOX BACK- LEVEL 3
5	FIREBOX BACK- LEVEL 4
6	RADIUS THROAT FRONT
7	SQUARE THROAT BACK
8	THROAT LEFT SIDE
9	THROAT RIGHT SIDE
10	SMOKE CHAMBER FRONT AND BACK
11	UNIVERSAL SMOKE CHAMBER SIDES
12	CHIMNEY BASE



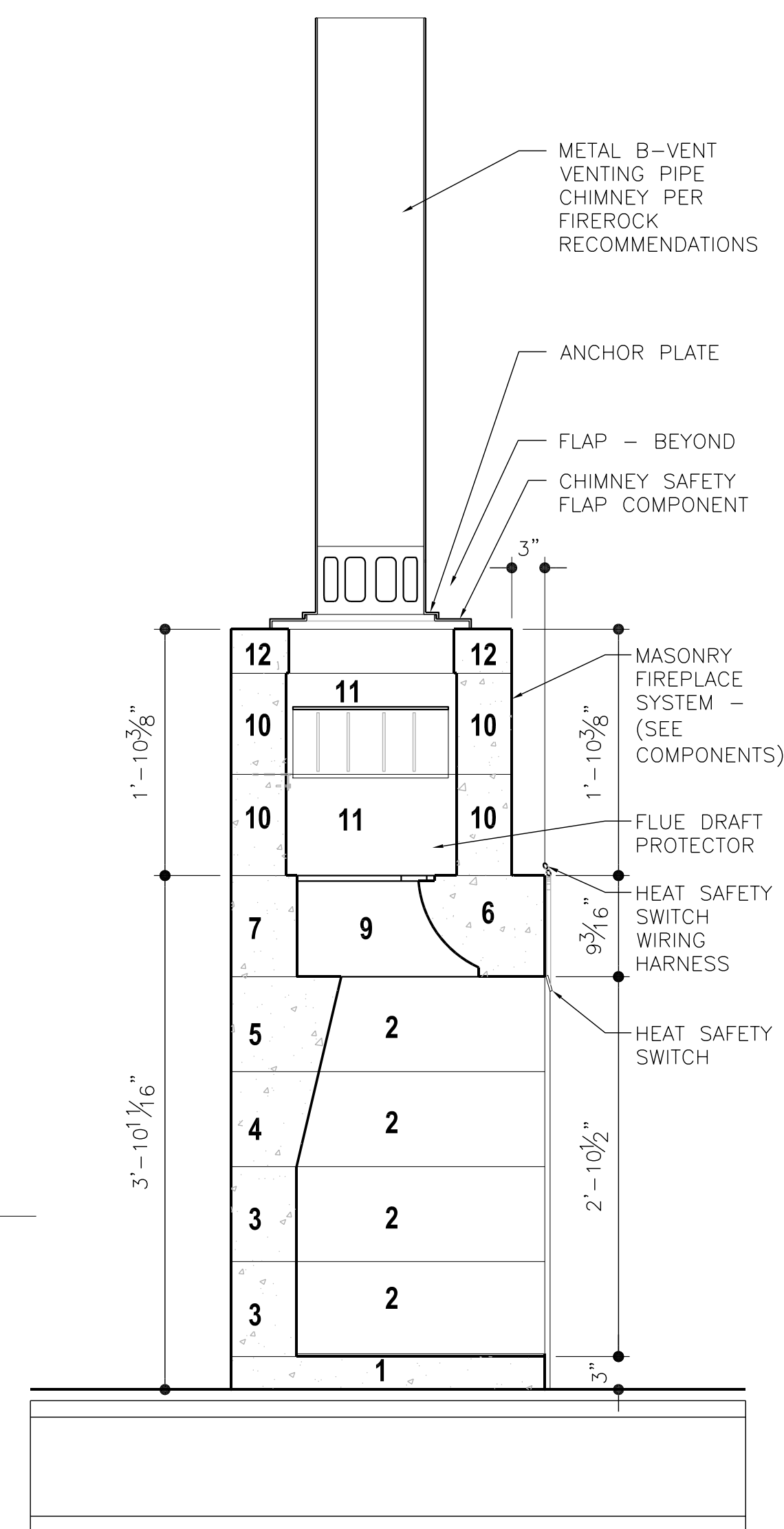
**CHIMNEY PLAN** SCALE: 1" = 1'-0"

FIREPLACE SIZE	DIM A	DIM B	DAMPER SIZE
30	38"	32.1/2"	24"
36	44"	38.1/2"	30"
42	50"	44.1/2"	36"
48	56"	50.1/2"	42"

42" SIZE SHOWN TO SCALE - THIS DRAWING

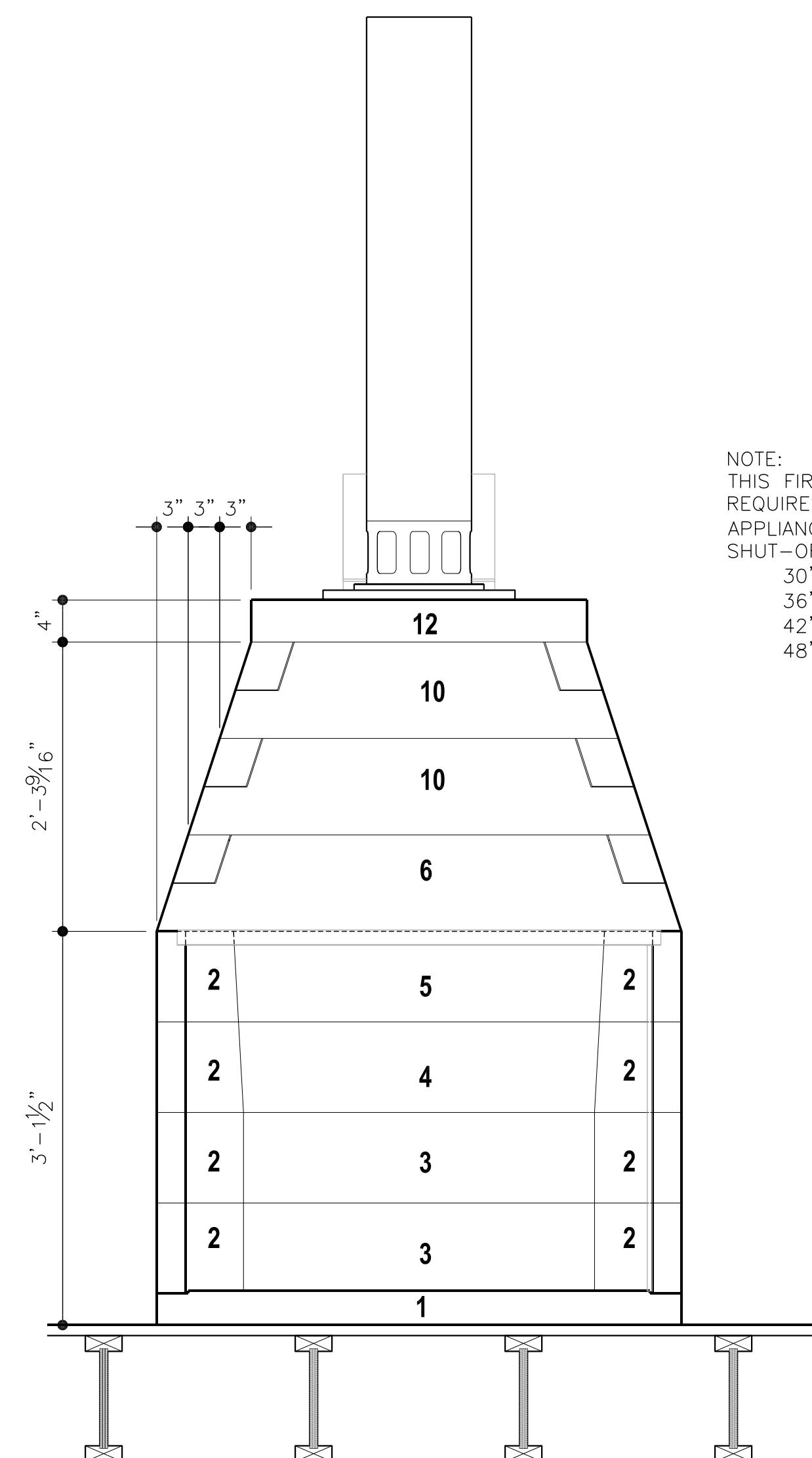


**FIREBOX PLAN** SCALE: 1" = 1'-0"



**SECTION A-A**

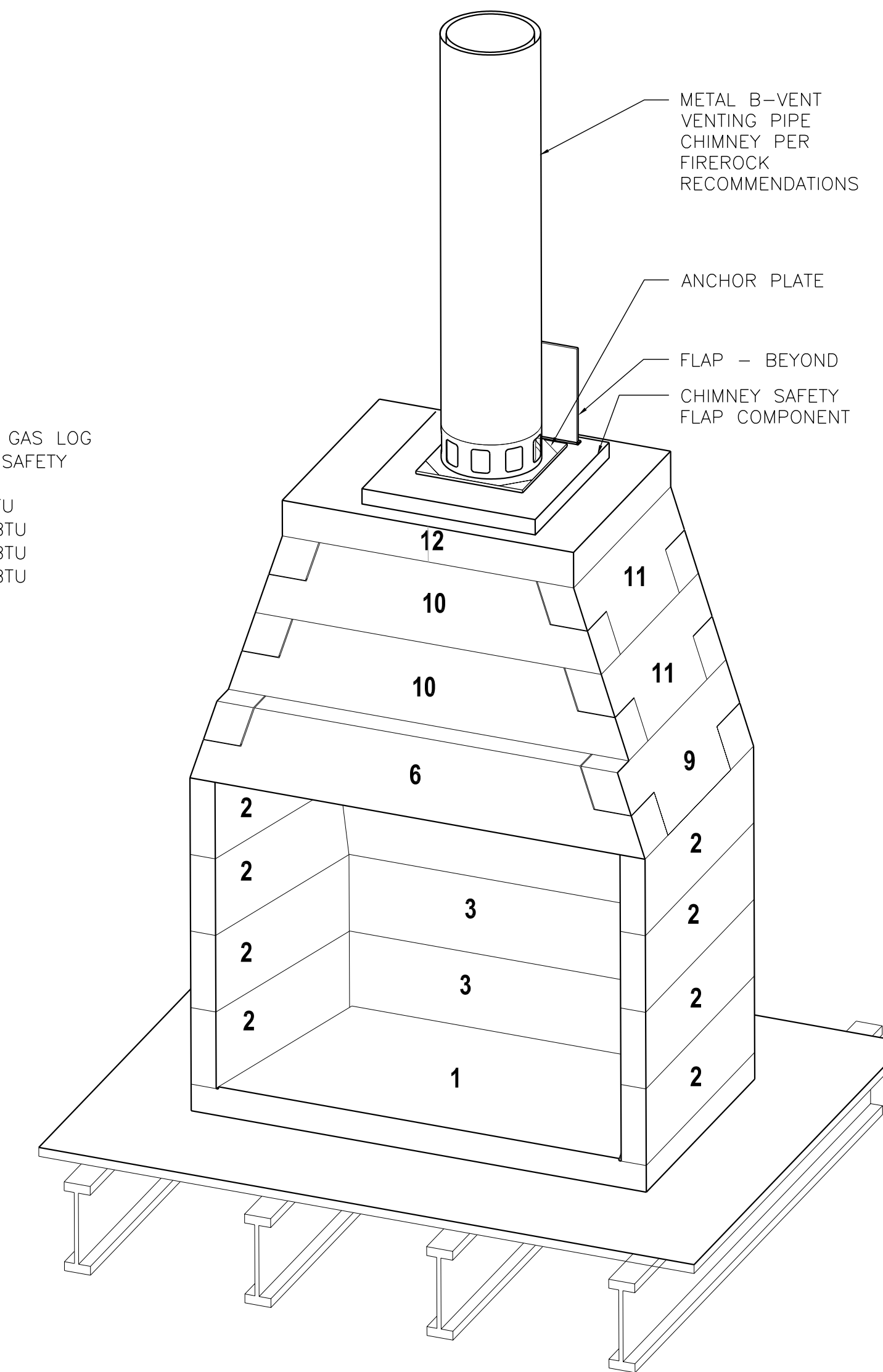
SCALE: 1" = 1'-0"



**FRONT ELEVATION**

SCALE: 1" = 1'-0"

NOTE:  
THIS FIREBOX TYPE  
REQUIRES SPECIFIC GAS LOG  
APPLIANCE(S) AND SAFETY  
SHUT-OFF SWITCH  
30" 48,000BTU  
36" 68,000 BTU  
42" 68,000 BTU  
48" 78,000 BTU



**ISOMETRIC**

SCALE: 1" = 1'-0"

RELEASE DATE 04/02/09

SCALE 1" = 1'-0"

SHEET

BV