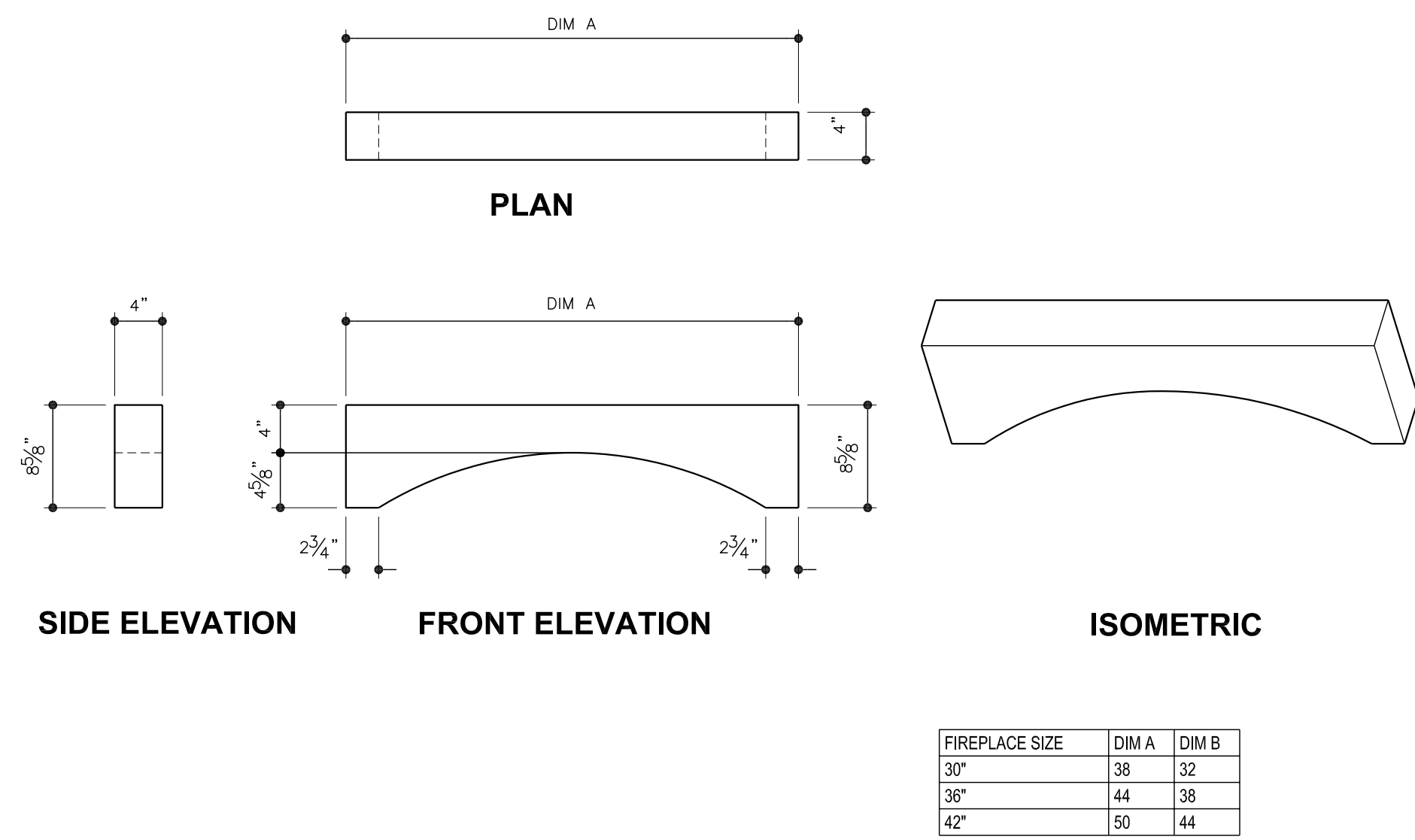
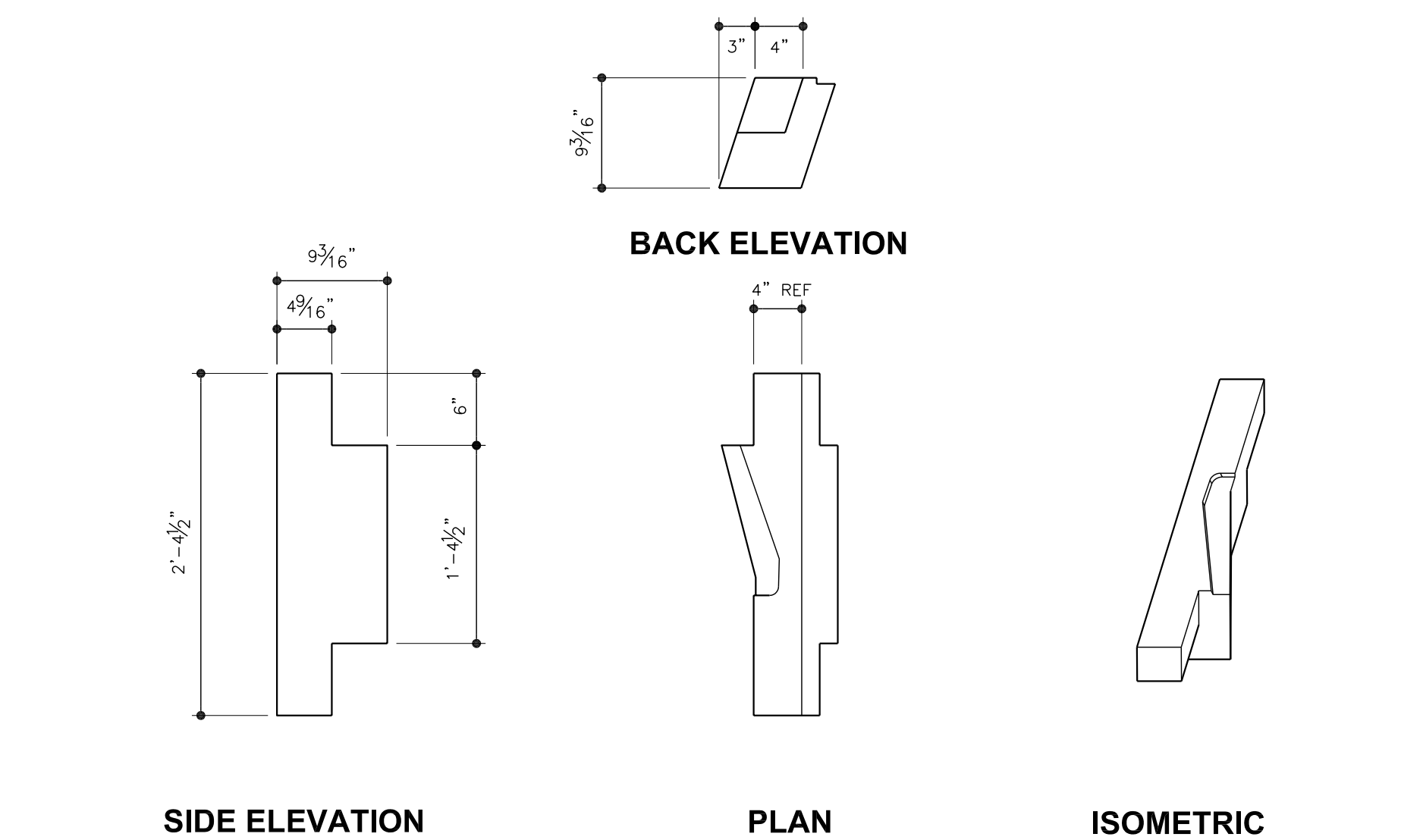


# FireRock

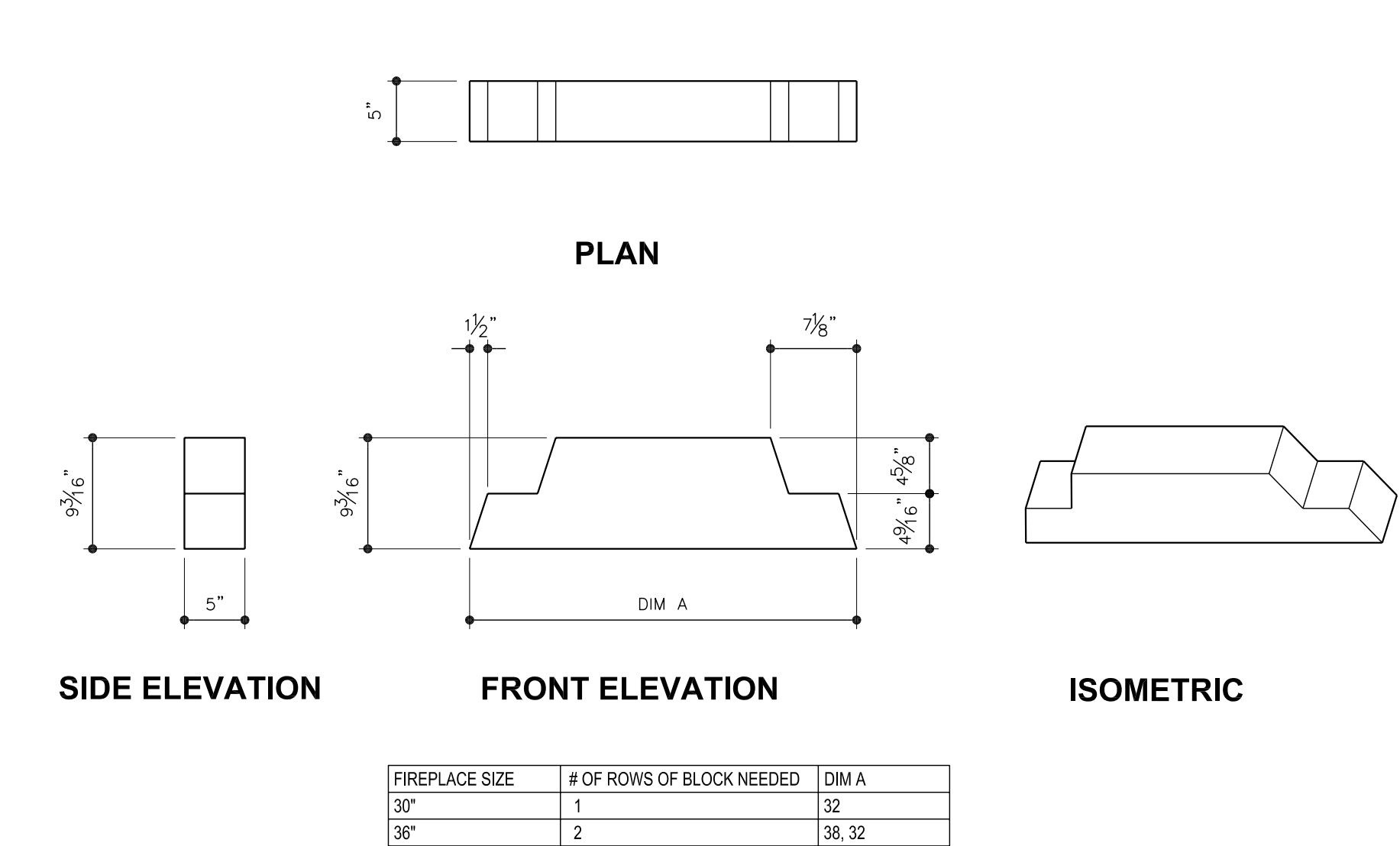
The fireplace, *rekindled.*  
**B-VENT FIREPLACE-  
 INDIVIDUAL COMPONENTS**



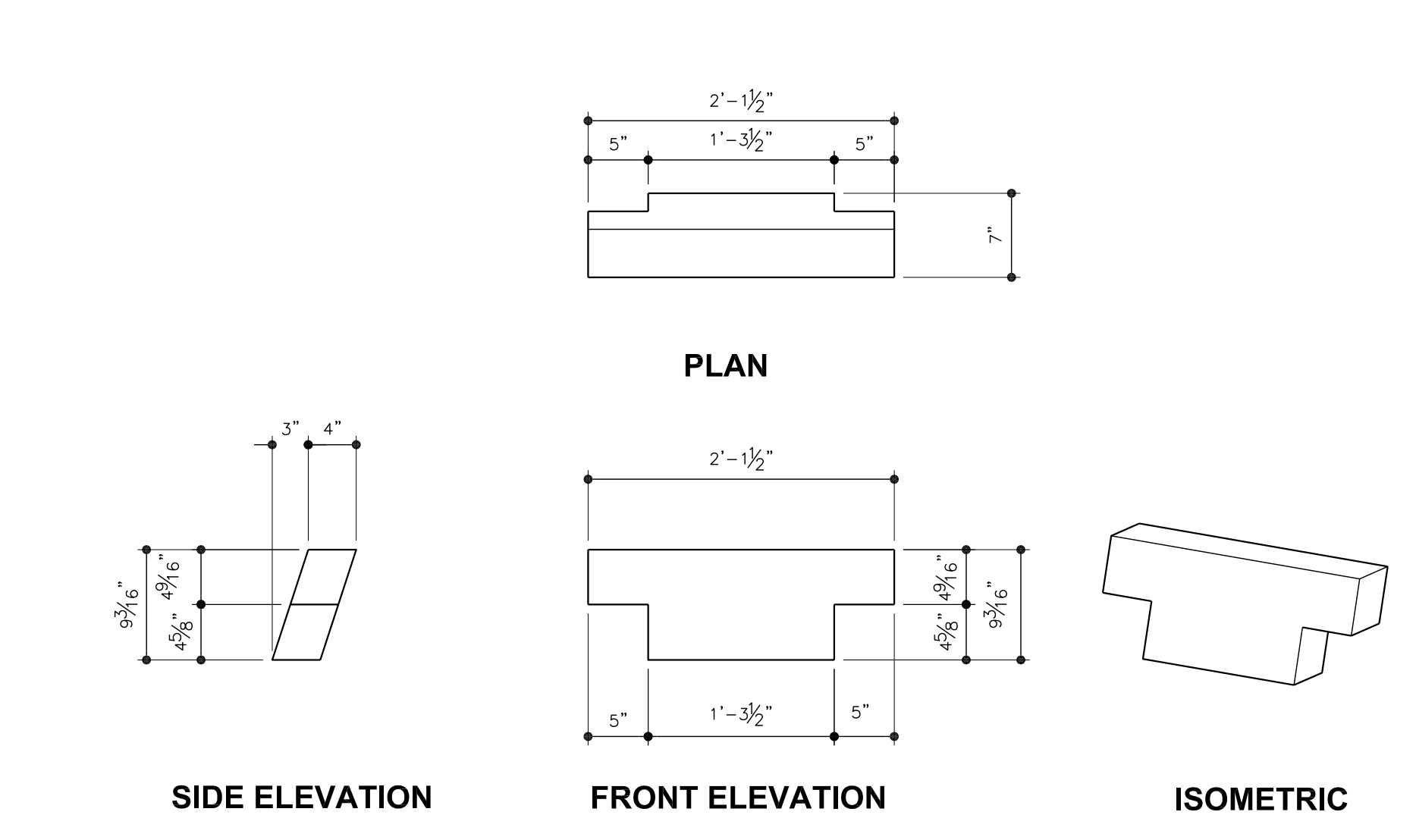
**20** FIREBOX ARCHED HEADER (OPTIONAL) SCALE: 1" = 1'-0"



**9** THROAT RIGHT SIDE SCALE: 1" = 1'-0"



**10** SMOKE CHAMBER FRONT AND BACK SCALE: 1" = 1'-0"



**11** UNIVERSAL SMOKE CHAMBER SIDES SCALE: 1" = 1'-0"

